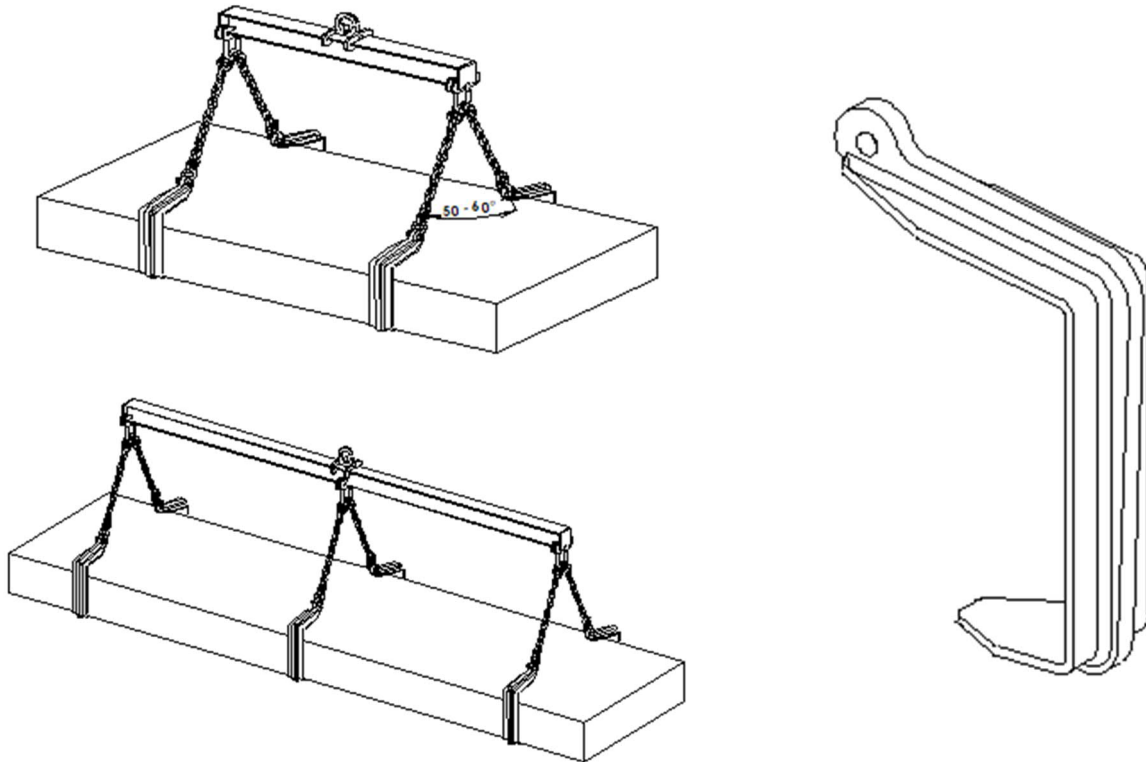


APPLICATIONS

Lifting of horizontal plates (individual or bundles).



DESCRIPTION

These accessories allow handling thick loads thanks to their opening up to 300 mm. Slings not provided.

FUNCTIONING

Use in 4s with two 2-legged slings and lifting beam.

Place the load into the hooks, distributing them evenly and perform lifting.

IMPORTANT INSTRUCTIONS

- The load must always be driven home into the throat of the hook.
- Adhere to a sling angle included between 50° and 60° (ie ½ sling angle included between 25° and 30°).
- Do not separate sheets with the hooks' end.
- Working temperature: -20° to +100°C.

GENERAL CHARACTERISTICS

- Manufactured without load bearing welds.
- Hot epoxy coating.
- Safety factor: 3 in accordance with the EN 13155.2003 norm.
- Product conforms to the French regulation, in particular the decree of 01/03/2004 relating to the check on lifting devices and the European Directive n°98/37.
- Product with EC marking and delivered with a declaration of conformity and instructions for use.

DIMENSIONAL CHARACTERISTICS

HR shackles to be used	Ref.	Group code	WLL/ pair kg	Opening	A	B	C	E	F	G	H	I	J	Sling angle		Min chain * Ø	Weight / pair kg
														min	max		
3t25	QS1,5 0-300	50678	1 500	300	279	20	387	128	22	22	20	100	20	50°	60°	8	14
3t25	QS3 0-300	50688	3 000	300	305	20	410	120	40	40	20	100	20	50°	60°	10	20
4t75	QS6 0-300	50698	6 000	300	380	25	410	120	50	50	26	100	25	50°	60°	13	30

* provide a 2-legged chain sling grade 80 per pair of hooks

Dimensions in mm

